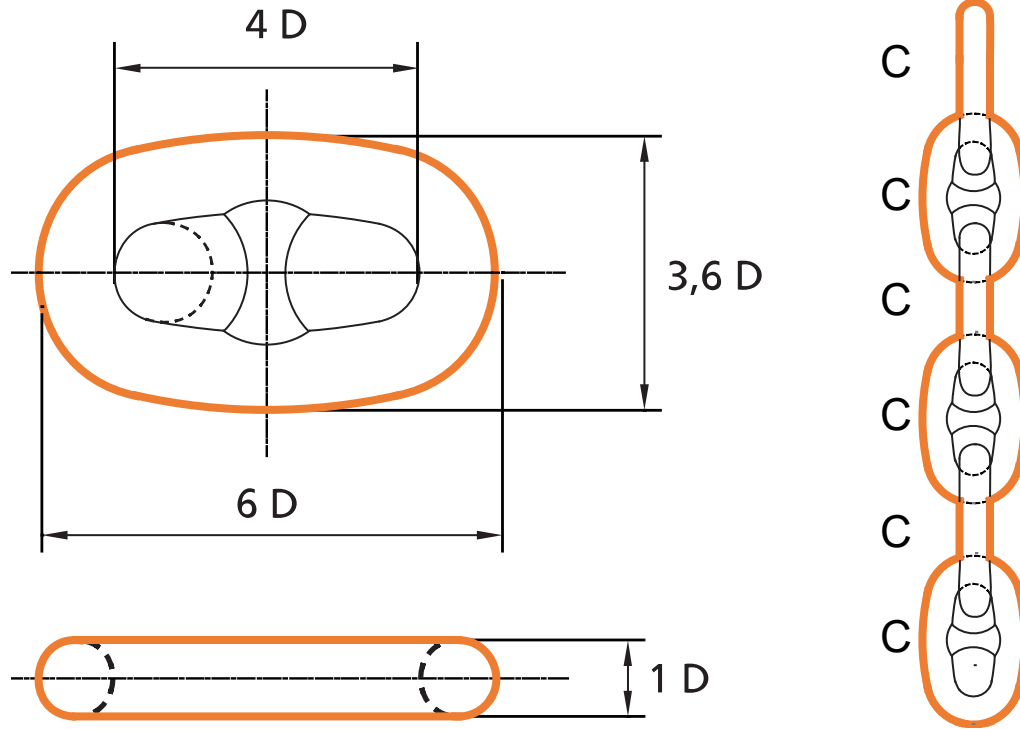




## Studlink – Anchor Chain



Dia mm	Kg / m	Kg / Link	Kg / 27.5m
12.5	3.5	0.17	96
14	4.4	0.24	121
16	5.8	0.36	160
17.5	7.0	0.47	193
19	8	0.7	96
20.5	9	0.8	121
22	11	1	160
24	13	1	193
26	15	2	223
28	17	2	275
30	20	3	305
32	22	3	366
34	25	4	432
36	28	4	503
38	32	5	578
40	35	6	657
42	39	7	743
44	42	8	831
46	46	9	927
48	50	11	1020
50	55	12	1114

Dia mm	Kg / m	Kg / Link	Kg / 27.5m
52	59	14	1218
54	64	15	1334
56	69	17	1452
58	74	19	1568
60	79	21	1705
62	84	23	1815
64	90	25	1953
66	95	28	2118
68	101	30	2283
70	107	33	2420
73	117	37	2585
76	126	42	2750
78	133	46	2943
81	144	51	3135
84	155	57	3410
87	166	63	3713
90	177	70	3905
92	185	75	4235
95	198	83	4565
97	206	88	4895
100	219	96	5198

Dia mm	Kg / m	Kg / Link	Kg / 27.5m
102	228	102	5473
105	241	112	5803
107	251	118	6050
111	270	132	6435
114	285	143	6683
117	300	154	7315
120	315	167	7893
122	326	175	8360
124	337	184	8718
127	353	197	9488
130	370	212	10313
132	382	222	11000
137	411	248	11990
142	442	276	12843
147	473	306	13723
152	506	338	14713
157	540	373	15675
162	575	410	16775
165	596	433	17753
168	618	457	17823
171	640	482	18798
175	671	516	20124

Weight unit is Kilograms. All measurements in mm. Measurements, weights, and drawings, are based on industry standards. Deviation margins need to be taken in mind, this is your own responsibility and not from Castle Hills AS.