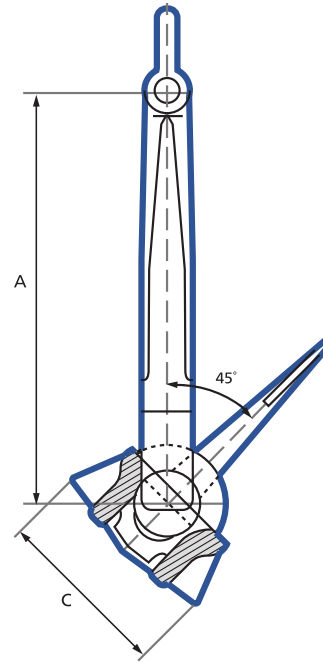
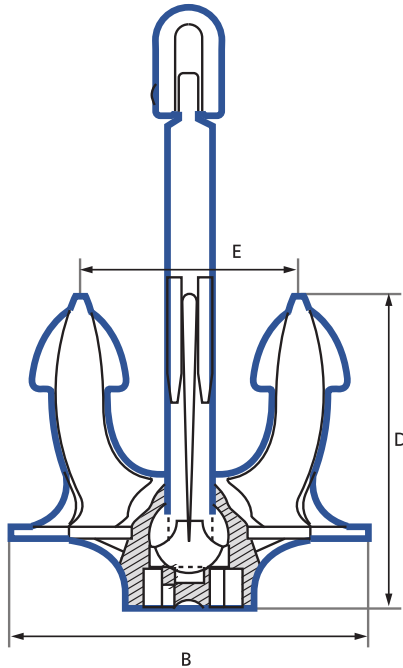




Union – Stockless Anchors



Weight	A	B	C	D	E
200	895	740	366	627	458
300	1026	850	419	721	522
500	1215	1008	497	856	620
800	1425	1180	581	986	728
1000	1530	1266	626	1063	780
1500	1750	1450	717	1222	898
2500	2075	1721	850	1449	1064
3000	2205	1826	902	1532	1128
4000	2430	2012	994	1687	1244
5000	2615	2165	1070	1839	1338
6000	2776	2302	1138	1942	1426
8000	3058	2534	1252	2141	1565
10000	3294	2730	1348	2288	1690
15000	3770	3127	1544	2633	1932
17000	3935	3265	1612	2735	2001
20000	4150	3435	1700	2880	2125
23000	4350	3600	1780	3020	2225

Weight unit is Kilograms. All measurements in mm. Measurements, weights, and drawings, are based on industry standards. Deviation margins need to be taken in mind, this is your own responsibility and not from Castle Hills AS.