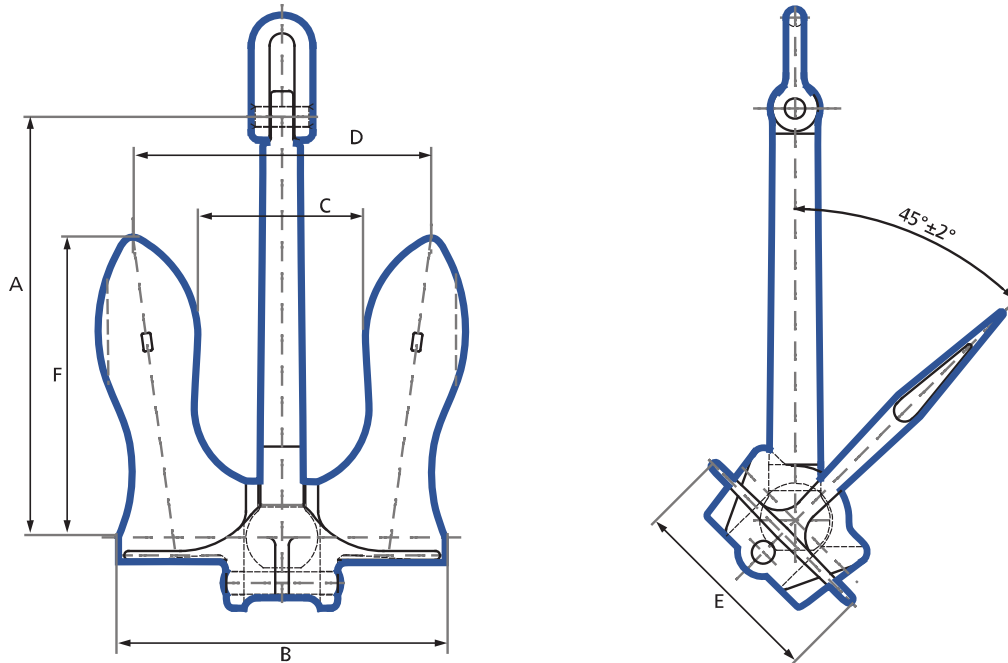




US Navy Stockless – Stockless Anchors



Weight	A	B	C	D	E	F
300	727	635	319	562	348	510
1000	1071	948	477	839	520	773
2000	1371	1195	601	1058	655	975
3000	1564	1398	704	1270	775	1050
4000	1724	1506	758	1333	826	1228
5000	1884	1622	816	1436	889	1323
6000	1974	1724	867	1528	947	1403
7000	2082	1815	913	1606	996	1480
8000	2171	1897	955	1679	1040	1547
9000	2257	1973	993	1747	1082	1609
10000	2336	2044	1028	1809	1120	1667
11000	2413	2110	1062	1868	1158	1721
12000	2486	2172	1093	1924	1193	1771
13000	2540	2231	1122	1965	1194	1819
14500	2641	2313	1144	2047	1270	1887
15000	2679	2340	1177	2089	1295	1930
16000	2735	2390	1203	2116	1311	1958
18000	2844	2486	1251	2200	1365	2088
20000	2946	2575	1296	2280	1412	2100
25000	3174	2774	1396	2456	1521	2262
30000	3371	2949	1483	2628	1631	2404

Weight unit is Kilograms. All measurements in mm. Measurements, weights, and drawings, are based on industry standards. Deviation margins need to be taken in mind, this is your own responsibility and not from Castle Hills AS.