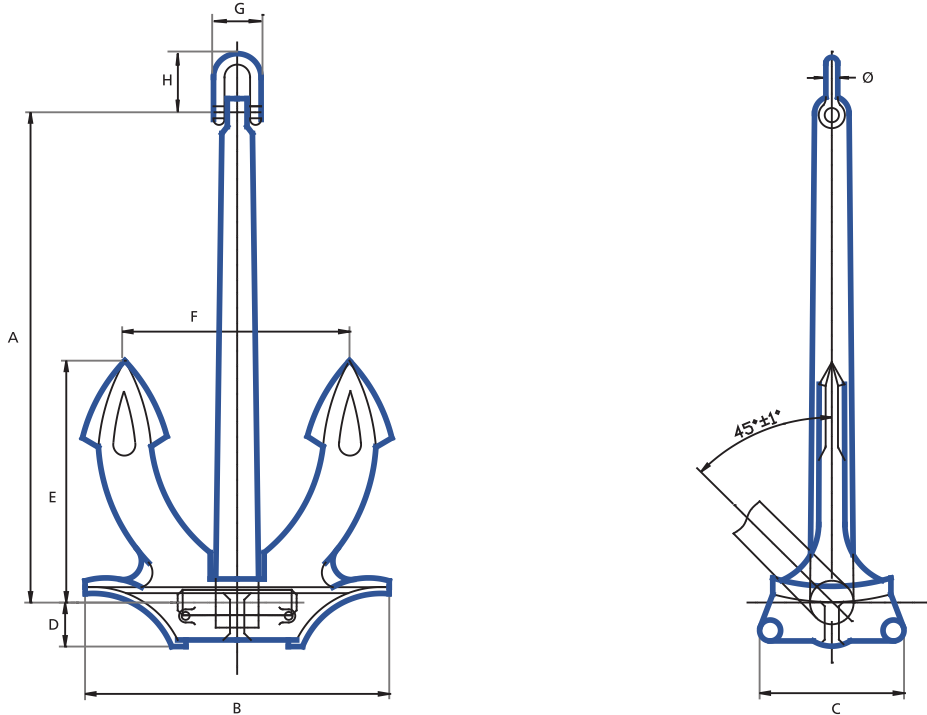




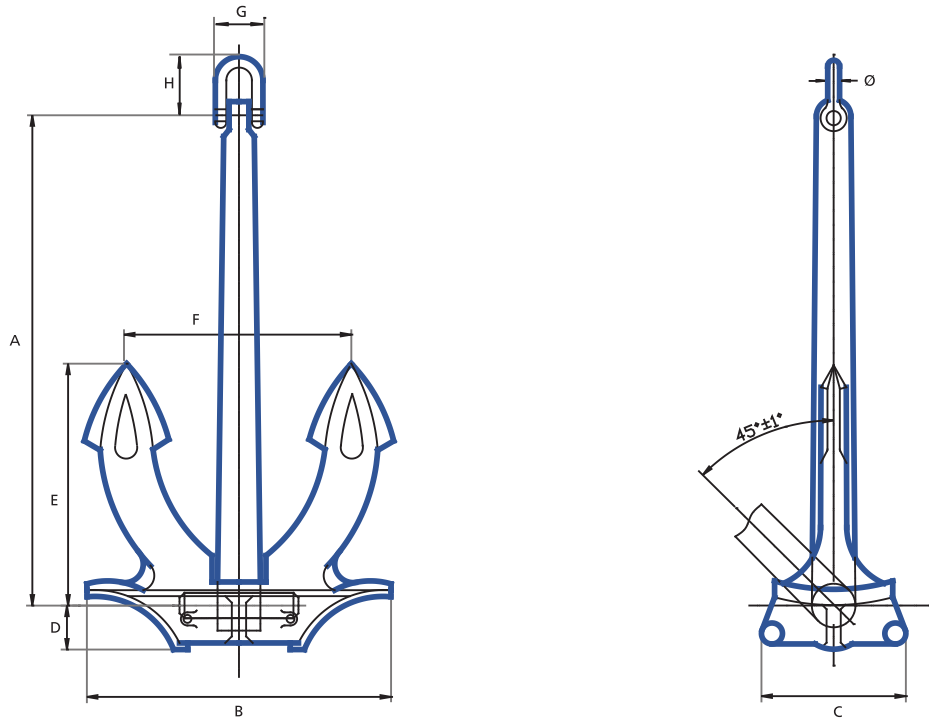
Hall – Stockless Anchors



Weight	A	B	C	D	E	F
10	385	270	125	42	191	191
16	410	316	146	49	223	223
25	476	367	169	57	259	259
35	533	411	189	64	290	290
50	599	464	214	71	325	325
65	658	505	233	78	355	355
75	690	530	244	82	374	374
100	760	582	270	90	410	410
125	814	629	290	97	443	443
150	866	670	308	103	470	470
180	952	735	339	114	518	518
240	1019	784	361	121	552	552
300	1095	844	388	130	595	595
360	1160	898	412	138	630	630
420	1255	967	444	149	675	675
480	1300	1000	460	154	700	700
570	1380	1060	490	164	745	745
660	1422	1096	506	169	769	769
780	1506	1160	535	178	813	813
900	1580	1220	560	188	855	855
1020	1645	1268	584	195	891	891
1140	1705	1319	605	203	926	926

Weight unit is Kilograms. All measurements in mm. Measurements, weights, and drawings, are based on industry standards. Deviation margins need to be taken in mind, this is your own responsibility and not from Castle Hills AS.

Stockless Anchors – Hall

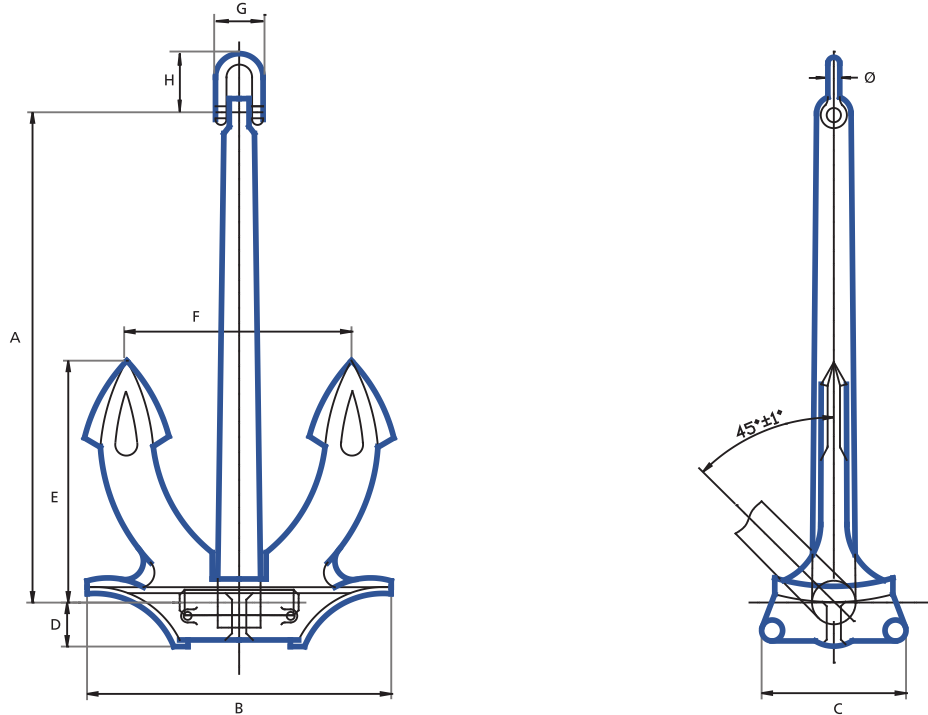


Weight	A	B	C	D	E	F
1290	1778	1374	630	211	965	965
1440	1844	1430	655	219	1001	1001
1590	1906	1475	677	226	1035	1035
1740	1966	1517	698	234	1068	1068
1920	2031	1568	722	241	1104	1104
2100	2093	1614	743	249	1136	1136
2280	2150	1657	763	255	1165	1165
2460	2207	1700	784	262	1194	1194
2640	2259	1730	796	265	1222	1222
2850	2318	1787	822	275	1253	1253
3060	2374	1832	841	282	1283	1283
3300	2432	1880	862	288	1317	1317
3540	2490	1926	883	295	1349	1349
3780	2457	1965	902	302	1376	1376
4050	2610	2008	924	309	1406	1406
4320	2661	2051	943	316	1435	1435
4590	2712	2093	962	322	1465	1465
4890	2769	2135	984	329	1498	1498
5250	2836	2185	1008	337	1535	1535
5610	2899	2234	1031	345	1569	1569
6000	2965	2284	1054	352	1605	1605
6450	3037	2340	1080	361	1644	1644

Weight unit is Kilograms. All measurements in mm. Measurements, weights, and drawings, are based on industry standards. Deviation margins need to be taken in mind, this is your own responsibility and not from Castle Hills AS.



Hall – Stockless Anchors



Weight	A	B	C	D	E	F
6900	3100	2393	1105	369	1681	1681
7350	3173	2444	1129	377	1717	1717
7800	3235	2493	1152	385	1752	1752
8300	3303	2545	1176	393	1788	1788
8700	335	2585	1195	399	1816	1816
9300	3430	2643	122	408	1857	1857
9900	3502	2699	1248	417	1896	1896
10500	3571	2752	1273	425	1934	1934
11100	3638	2803	1297	433	1970	1970
11700	3702	2853	1320	441	2005	2005
12300	3764	2901	1342	448	2039	2039
12900	3824	2947	1363	455	2072	2072
13500	3882	2992	1384	462	2104	2104
14100	3939	3036	1404	469	2135	2135
14700	3994	3078	1424	476	2165	2165
15400	4056	3126	1446	483	2199	2199
16100	4117	3173	1468	490	2232	2232

Weight unit is Kilograms. All measurements in mm. Measurements, weights, and drawings, are based on industry standards. Deviation margins need to be taken in mind, this is your own responsibility and not from Castle Hills AS.