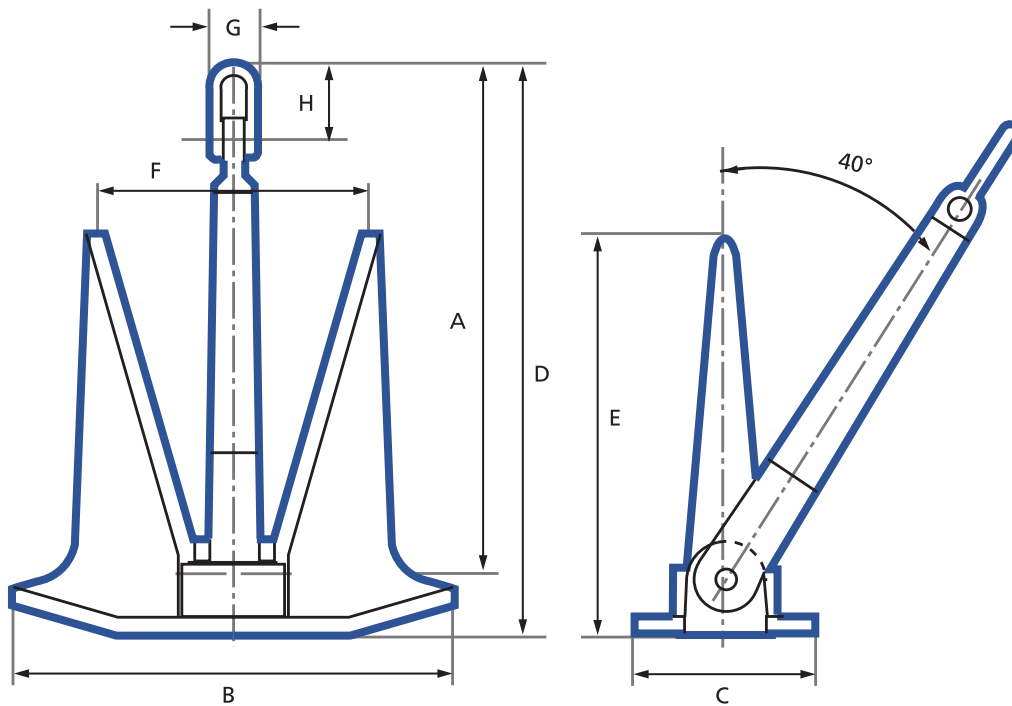




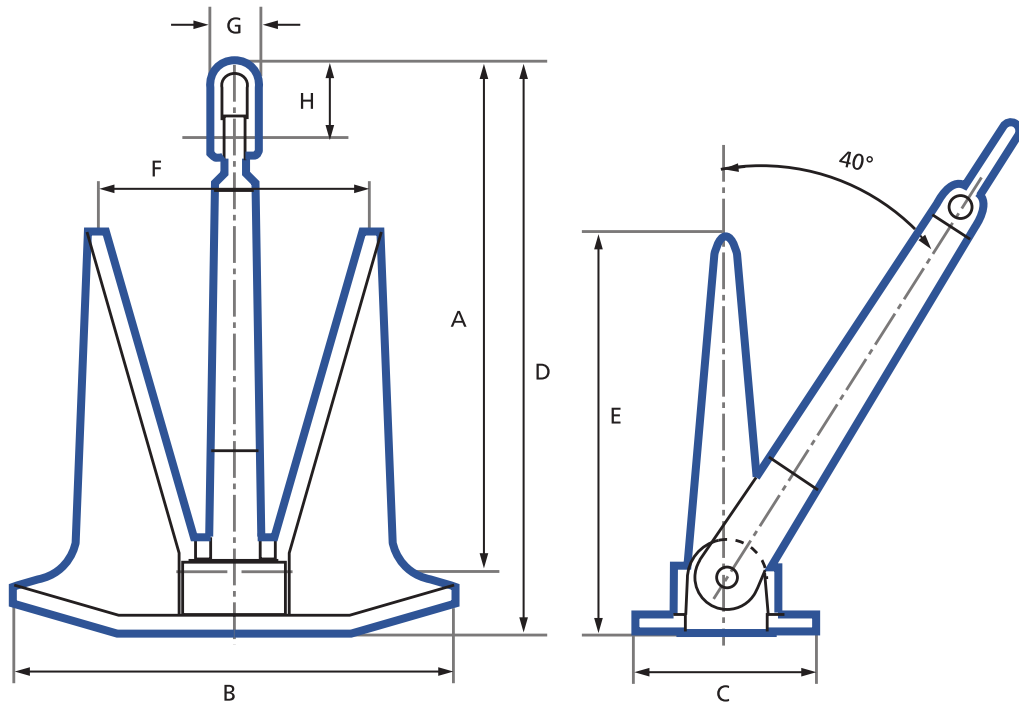
D'HONE – High Holding Power



Weight	A	B	C	D	E	F	G	H
500	1190	1150	430	1565	1020	675	150	215
550	1230	1185	440	1605	1050	695	150	215
600	1265	1220	455	1645	1080	715	150	215
650	1300	1255	470	1705	1110	730	170	235
700	1335	1290	480	1745	1140	750	170	235
750	1365	1320	490	1785	1165	770	170	235
800	1390	1345	500	1815	1190	785	170	235
850	1420	1375	510	1880	1215	800	185	270
900	1445	1395	520	1910	1235	815	185	270
950	1475	1425	530	1940	1260	830	185	270
1000	1500	1450	540	1970	1280	845	185	270
1100	1545	1490	555	2055	1320	870	205	305
1200	1590	1540	570	2105	1360	900	205	305
1300	1640	1585	590	2155	1400	925	205	305
1400	1680	1620	605	2205	1435	945	205	305
1500	1720	1660	620	2255	1470	970	205	305
1600	1755	1700	630	2315	1500	990	225	325
1700	1790	1730	645	2355	1530	1010	225	325
1800	1825	1765	655	2395	1560	1030	225	325
1900	1855	1790	665	2425	1585	1050	225	325
2000	1890	1825	680	2465	1615	1065	225	325
2200	1950	1880	700	2570	1665	1090	250	360

Weight unit is Kilograms. All measurements in mm. Measurements, weights, and drawings, are based on industry standards. Deviation margins need to be taken in mind, this is your own responsibility and not from Castle Hills AS.

High Holding Power – D'HONE



Weight	A	B	C	D	E	F	G	H
2400	2010	1940	720	2630	1715	1130	250	360
2600	2060	1990	740	2690	1760	1160	250	360
2800	2120	2050	760	2760	1810	1190	250	360
3000	2170	2090	780	2810	1850	1220	250	360
4210	2200	2330	865	3495	2060	1360	390	770
5175	3130	2510	935	3700	2215	1460	390	770

Weight unit is Kilograms. All measurements in mm. Measurements, weights, and drawings, are based on industry standards. Deviation margins need to be taken in mind, this is your own responsibility and not from Castle Hills AS.