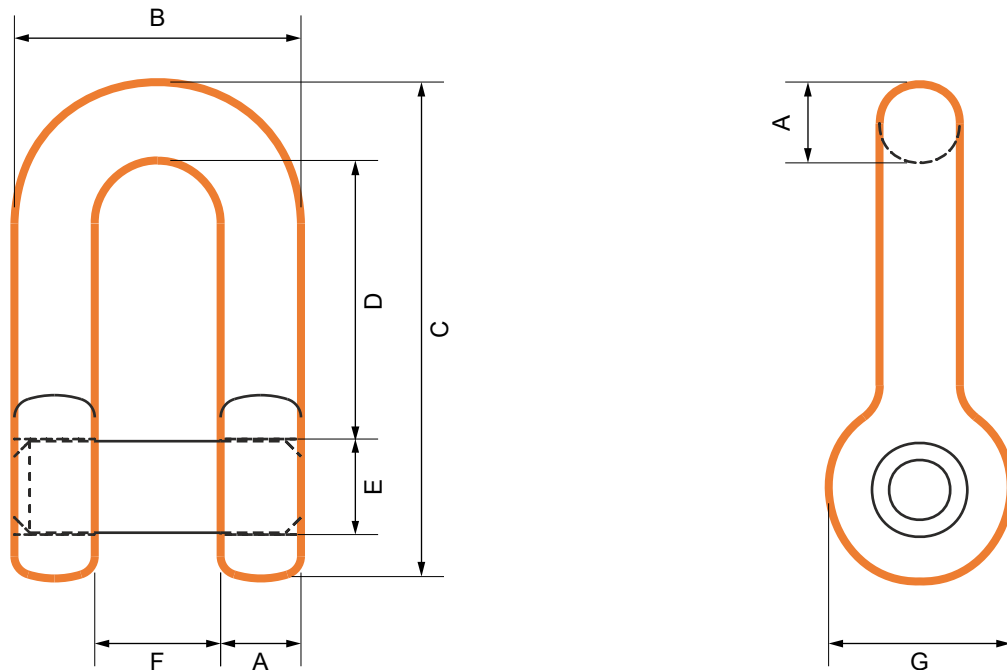




Crown Pin Shackle – Ship Chain



Weight	A	B	C	D	E	F	G
11	44	154	263	147	48	66	96
14	49	171	285	158	52	73	104
21	55	191	330	185	60	81	120
30	61	212	374	211	68	90	136
36	67	234	396	221	72	100	144
49	74	258	440	246	80	110	160
75	75	275	486	276	90	125	180
100	90	316	545	307	100	140	200
130	100	347	600	339	110	155	230
180	110	395	684	385	125	175	250
260	125	450	765	430	140	200	280
335	140	490	843	475	150	210	305
413	150	520	920	525	160	220	330
500	160	555	975	560	170	235	340
601	170	590	1045	610	180	250	350
716	180	630	1115	650	190	270	380
839	190	660	1183	690	200	280	405

Weight unit is Kilograms. All measurements in mm. Measurements, weights, and drawings, are based on industry standards. Deviation margins need to be taken in mind, this is your own responsibility and not from Castle Hills AS.